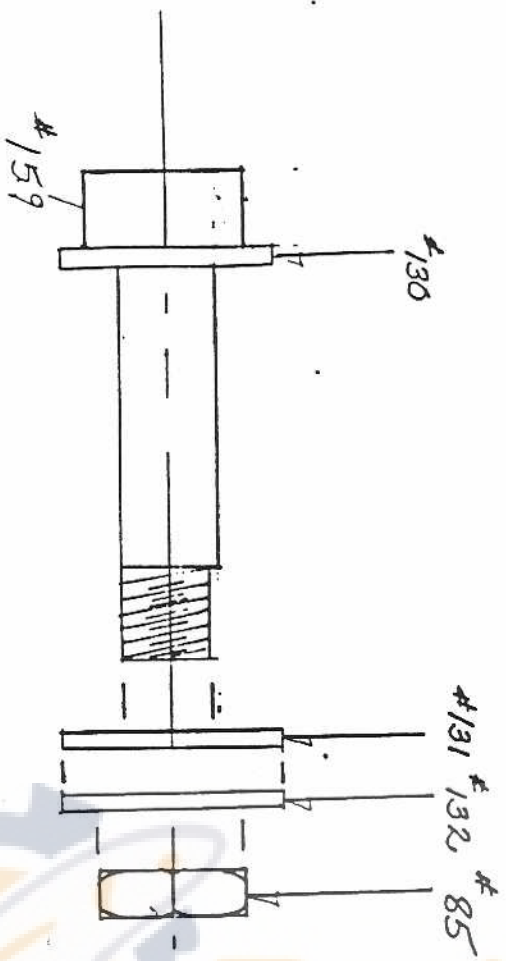
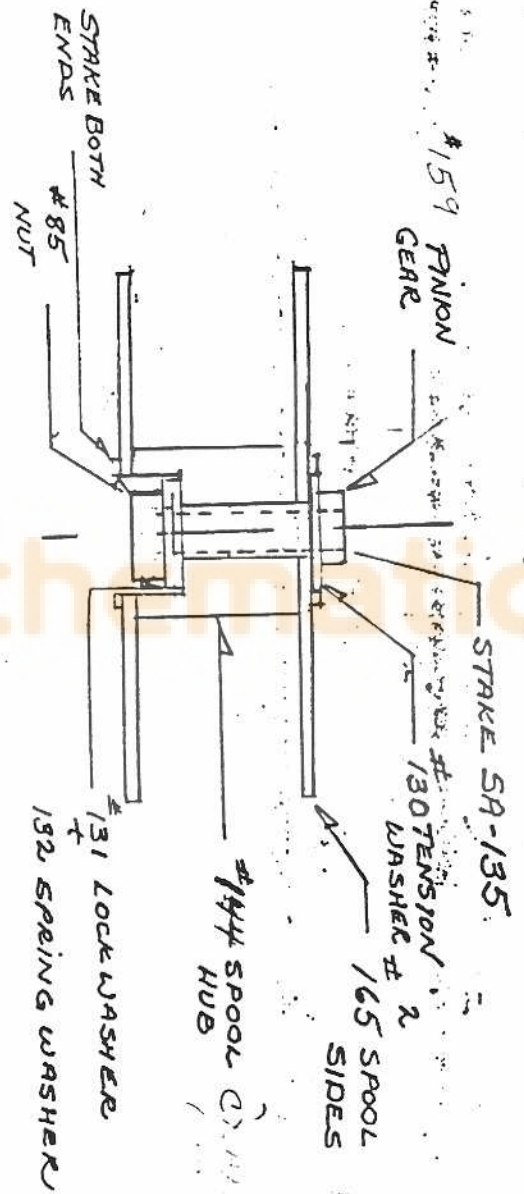


SA 13



ReelSchmidt

| | |
|---------------------------|----------|
| Print # | of |
| MARTIN REEL COMPANY, INC. | |
| Part SPOOL ASSM-AUTOS- | |
| Model | 49 |
| Drawn by | RMC |
| Date | 10/27/88 |
| Material | |
| Scale | Part I |